

Overhead Presence Sensor (OHPS)

Automatic swinging doors



Features & benefits

- Versatile sensor can be used on single swing, simultaneous pair, dual egress, and folding doors when coupled with an interface/ lockout device.
- Adjustable tilt angle from 0°–10°.
- Separate pattern width, depth and sensitivity for open and closed door states for maximum flexibility.
- Fully monitored internally, capable of external monitoring.
- Visible LED indicates connection between sensor and door control.

Description

An overhead presence sensor designed for pedestrian automatic doors.

Provides threshold protection during the door open state. It is designed to prevent a closed door from opening and an open door from closing when a person is in the detection zone.

This sensor is easy to install and adjustments can be made using the remote control.

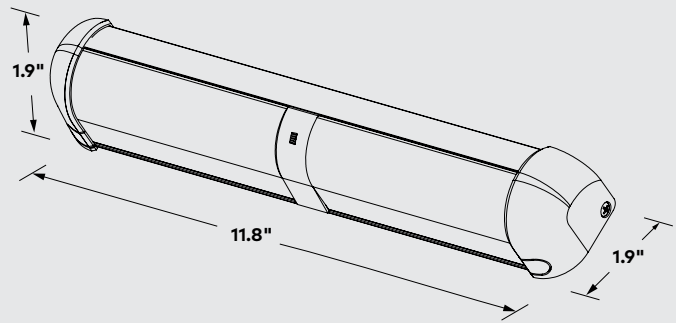
Related products



Technical specifications

Technology	Active Infrared
Detection mode	Presence
Installation height	Variable 108" max (9') recommended 78"-96" (6.5'-8')
Mounting angles	
Bodyguard only	5°, 10° (factory default setting: 5°)
With bodymount	0°, 5°, 10°
Power supply	12 – 24 VAC / VDC ±10%
Frequency	50 – 60 Hz
Output	
Max contact voltage	60 VDC / 125 VAC
Max contact current	1 A
Max power supply	30 W (DC), 60 VA (AC)
Test input	N/A
Relay hold time	0.5 – 9 s
Operating temperature	-22 °F – 140 °F
Immunity	Immune to electrical and radio frequency interference
Cable	48" (4') 6-conductor cable
Weight	1 lb 11 oz
Dimensions	11.8" (W) × 1.9" (H) × 1.9" (D)
Material	Aluminum & ABS plastic

DX3336-011 dimensional drawing



© dormakaba 2024 Information on this sheet is intended for general use only. dormakaba reserves the right to alter designs and specifications without notice or obligation.

Any questions? We would be happy to advise you.
Contact us at: 1-800-265-6630